

# PRH4D18



### FEATURES 特点

- \* Excellent solderability and high heat resistance  
良好的可焊性和高耐热性

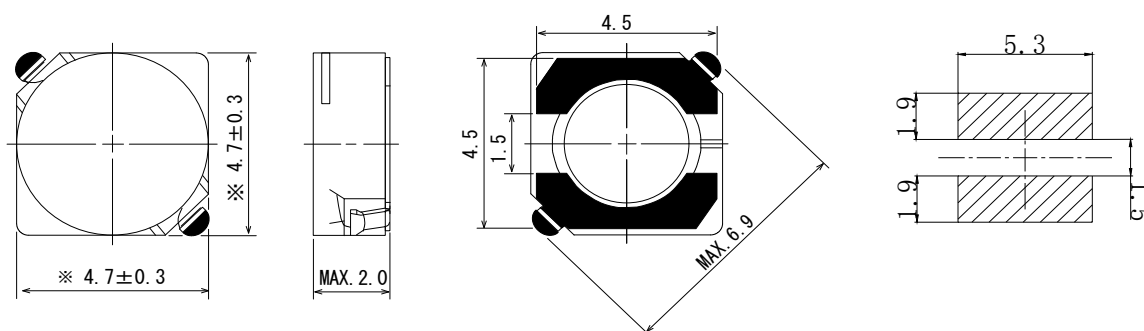
### APPLICATION 用途

- \* DC / DC 转换器

### MEASURING FREQUENCY 测试频率

- \* 100KHz 0.3V

### Shapes And Dimensions 外形及尺寸示意图



### Electrical Characteristics 电气性能

Type 型號	Indicate 表示	Inductance 電感值	D.C.R(Max) 直流電阻(m )	Rated Current(Max) 額定電流(A)
PRH4D1 8-1R0	1R0	1.0 $\mu$ H $\pm$ 30%	45(35m)	1.72
PRH4D1 8-2R2	2R2	2.2 $\mu$ H $\pm$ 30%	73m(58m)	1.32
PRH4D1 8-2R7	2R7	2.7 $\mu$ H $\pm$ 30%	100m(80m)	1.28
PRH4D1 8-3R3	3R3	3.3 $\mu$ H $\pm$ 30%	105m(85m)	1.04
PRH4D1 8-3R9	3R9	3.9 $\mu$ H $\pm$ 30%	150m(120m)	0.88
PRH4D1 8-4R7	4R7	4.7 $\mu$ H $\pm$ 30%	156m(125m)	0.84
PRH4D1 8-5R6	5R6	5.6 $\mu$ H $\pm$ 30%	165m(130m)	0.80
PRH4D1 8-6R8	6R8	6.8 $\mu$ H $\pm$ 30%	193m(155m)	0.76
PRH4D1 8-8R2	8R2	8.2 $\mu$ H $\pm$ 30%	240m(190m)	0.68
PRH4D1 8-100	100	10 $\mu$ H $\pm$ 30%	192m(148m)	0.61
PRH4D1 8-120	120	12 $\mu$ H $\pm$ 30%	203m(156m)	0.56
PRH4D1 8-150	150	15 $\mu$ H $\pm$ 30%	231m(178m)	0.50
PRH4D1 8-180	180	18 $\mu$ H $\pm$ 30%	325m(250m)	0.48
PRH4D1 8-220	220	22 $\mu$ H $\pm$ 30%	382m(294m)	0.41
PRH4D1 8-270	270	27 $\mu$ H $\pm$ 30%	425m(327m)	0.35
PRH4D1 8-330	330	33 $\mu$ H $\pm$ 30%	668m(514m)	0.32
PRH4D1 8-390	390	39 $\mu$ H $\pm$ 30%	682m(525m)	0.30
PRH4D1 8-470	470	47 $\mu$ H $\pm$ 30%	888m(683m)	0.28
PRH4D1 8-560	560	56 $\mu$ H $\pm$ 30%	1.04(800m)	0.26
PRH4D1 8-680	680	68 $\mu$ H $\pm$ 30%	1.25(1.00)	0.24
PRH4D1 8-820	820	82 $\mu$ H $\pm$ 30%	1.50(1.20)	0.22
PRH4D1 8-101	101	100 $\mu$ H $\pm$ 30%	1.66(1.33)	0.20
PRH4D1 8-121	121	120 $\mu$ H $\pm$ 30%	2.30(1.84)	0.18
PRH4D1 8-151	151	150 $\mu$ H $\pm$ 30%	2.56(2.05)	0.15
PRH4D1 8-181	181	180 $\mu$ H $\pm$ 30%	4000(3.05)	0.14

\* SPQ:2500PCS/REEL

The sample parameters are based on actual measured values